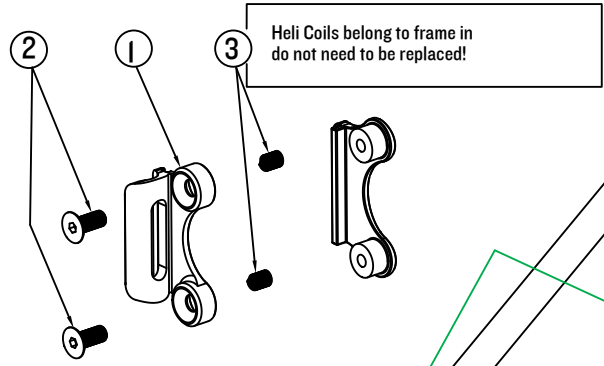
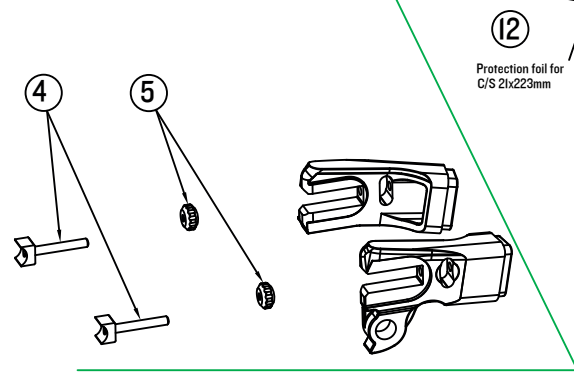


Loctite #243 on screws!  
TORQUE 5Nm



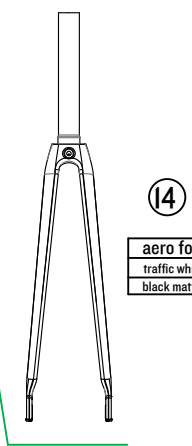
Loctite #243 on screws!  
TORQUE 5Nm



Loctite #243 on screws!  
Note: Part 4 is assymetrical!  
Make it flush on inside and outside.

TT Aero post  
see assembly drawing S10-09

(optional:  
TT Aero post with 50 mm offset  
see S11-09)



aero fork F11-09	
traffic white	A1005975
black matt	A101910

	Canyon#	Part Name	Qty.
①	A1005960	FD hanger E20-09	IPC
②		incl. screws	2PCS
③	A1016880	Heli Coil	2PCS
④	A1016881	stopper	2PCS
⑤	A1016882	adjustment nut	2PCS
⑥	A1013268	cable stopper E38-10	IPC
⑦	A101921	cable holder (for two cable)	1SET
⑧	A1006942	water bottle screw	4PCS
⑨	A101905	Seat Clamp E25-09	IPC
⑩		incl. screws	2PCS
⑪	A1016879	Heli Coil	2PCS
⑫	A1021467	Protection foil	IPC
⑬	A1006267	TANGE IS-22	1SET
⑭	see drawing	aero fork F11-09	IPC

Loctite #243 on screws!  
Use a short pcs of cable housing (indicated with two lines) for each shifter cable in the BB area.

# SPEEDMAX AL | RIO-09

