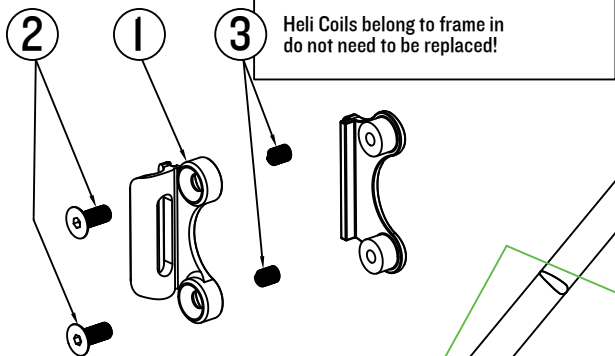
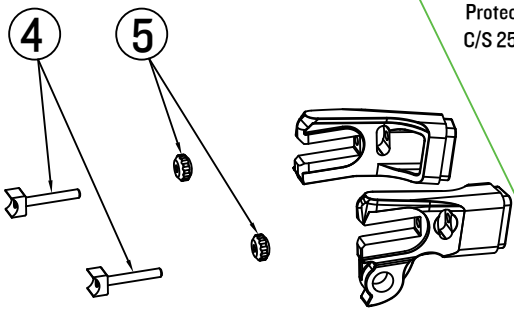




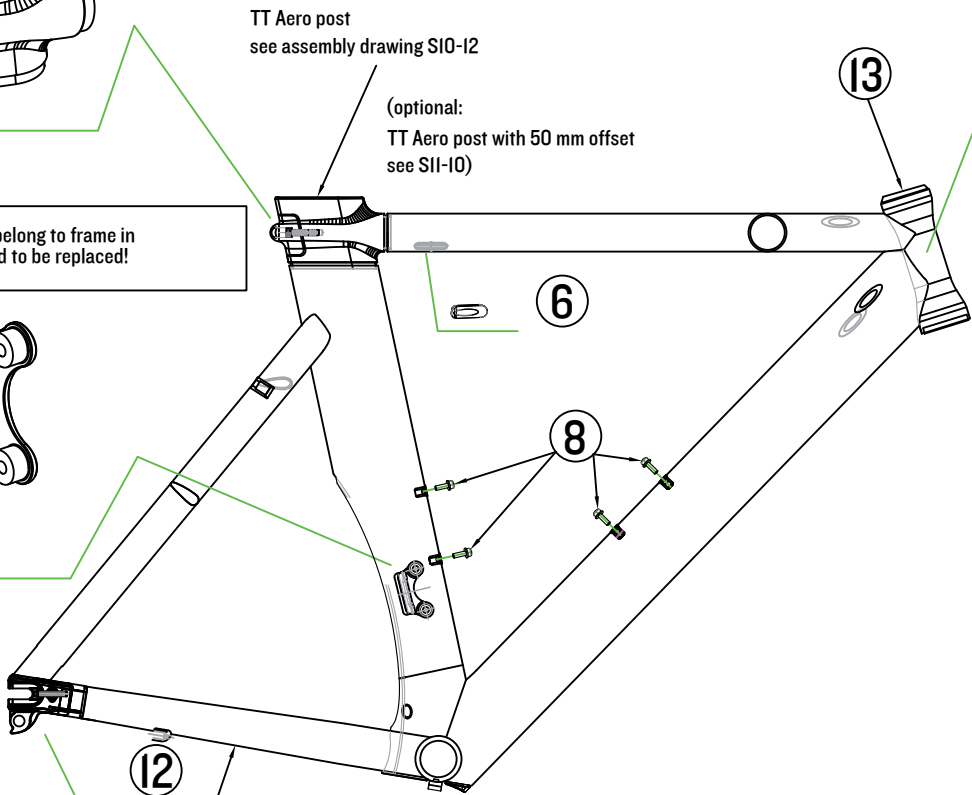
Loctite #243 on screws!
TORQUE 5Nm



Loctite #243 on screws!
TORQUE 5Nm

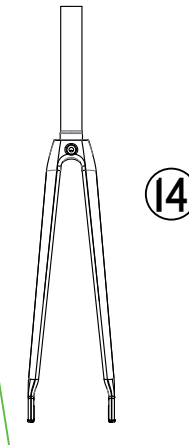


Loctite #243 on screws!
Note: Part 4 is assymetrical!
Make it flush on inside and outside.



Loctite #243 on screws!

Use a short pcs of cable housing (indicated with two lines) for each shifter cable in the BB area.
Use only top cap of double hole satellite cable clip.



	Canyon#	Part Name	Qty.
1	A1021827	FD hanger	IPC
2		incl. screws E20-II	2PCS
3	A1016880	Heli Coil	2PCS
4	A1016881	stopper	2PCS
5	A1016882	adjustment nut	2PCS
6	A1022937	plastic clip-in cable holder E56-II	IPC
7	A1011921	clip-in cable holder (for two cable) E27-09	ISET
8	A1006942	water bottle screw	4PCS
9	A1011905	Seat Clamp E25-09	IPC
10		incl. screws	2PCS
11	A1016879	Heli Coil	2PCS
12	A1023426	Protection foil	IPC
13	A1006267	TANGE IS-22	ISET
14	A1025216	aero fork F11-I2	IPC

SPEEDMAX AL | RIO-12

