

Heli Coils belong to frame in do not need to be replaced!

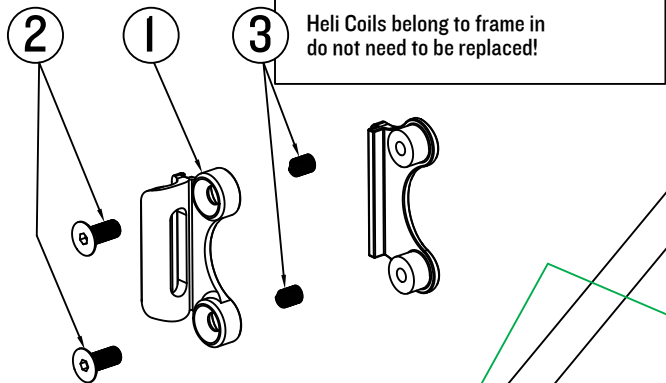
Loctite #243 on screws!
TORQUE 5Nm

TT Aero post
see assembly drawing S10-II

(optional:
TT Aero post with 50 mm offset
see S11-II)

14

	Canyon#	Part Name	Qty.
1	A1021827	FD hanger E20-II	IPC
2		incl. screws	2PCS
3	A1016880	Heli Coil	2PCS
4	A1016881	stopper	2PCS
5	A1016882	adjustment nut	2PCS
6	A1022937	plastic clip-in cable holder E56-II	IPC
7	A1011921	cable holder (for two cable) E27-09	1SET
8	A1006942	water bottle screw	4PCS
9	A1011905	Seat Clamp E25-09	IPC
10		incl. screws	2PCS
11	A1016879	Heli Coil	2PCS
12	A1014820	Protection foil	IPC
13	A1006267	TANGE IS-22	1SET
14	A1014780	aero fork F11-10	IPC



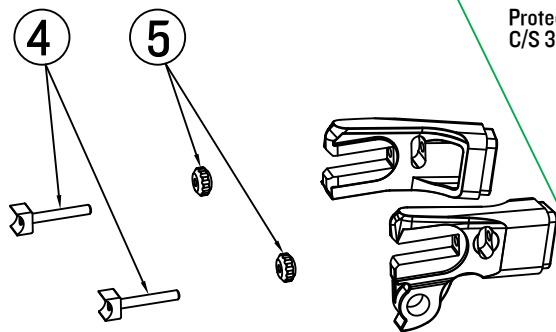
Heli Coils belong to frame in do not need to be replaced!

Loctite #243 on screws!
TORQUE 5Nm

12
Protection foil for
C/S 35x225mm

7

Loctite #243 on screws!
Use a short pcs of cable housing (indicated with two lines) for each shifter cable in the BB area.
Use only top cap of double hole satellite cable clip.



Loctite #243 on screws!
Note: Part 4 is assymetrical!
Make it flush on inside and outside.

SPEEDMAX AL | RIO-II

